

Leaf Springs

SLIPPER SPRINGS

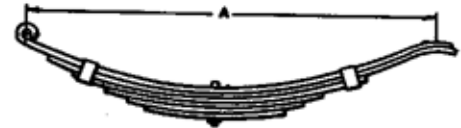
SLIPPER SPRINGS DEVELOP THEIR CUSHION EFFECT BY HAVING THE FREE END RIDE ON THE TRAILER FRAME WITHIN A SPRING GUIDE. LENGTH IS FROM CENTER OF EYE TO CENTER OF FREE END.

STOCK NO	(A) LENGTH	WIDTH	LEAF	CAPACITY EACH	LIST
45-S203F	20"	1 3/4"	3	1500 LBS	22.95
45-S242F	24"	1 3/4"	2	500 LBS	15.00
45-S243F	24"	1 3/4"	3	750 LBS	19.60
45-S243HD	24"	1 3/4"	3	1650 LBS	28.10
45-S244F	24"	1 3/4"	4	1000 LBS	25.85
45-S245F	24"	1 3/4"	5	1250 LBS	30.75
45-S251F	25"	1 3/4"	1	3000 LBS	32.50
45-S23013F	25 1/8"	1 3/4"	2	470 LBS	15.75
45-S23014F	25 1/8"	1 3/4"	3	725 LBS	19.90
45-S23015F	25 1/8"	1 3/4"	4	950 LBS	24.80
45-S23016F	25 1/8"	1 3/4"	5	1200 LBS	29.30
45-S292F	29 1/2"	1 3/4"	2	875 LBS	23.85
45-S293F	29 1/2"	1 3/4"	3	1425 LBS	33.35
45-S294F	29 1/2"	1 3/4"	4	1800 LBS	48.00
45-S295F	29 1/2"	1 3/4"	5	2300 LBS	44.85
45-S302F	30"	1 3/4"	2	500 LBS	24.95
45-S303F	30"	1 3/4"	3	750 LBS	27.95
45-S304F	30"	1 3/4"	4	1000 LBS	33.70
45-S305F	30"	1 3/4"	5	1250 LBS	36.65
45-S306F	30"	1 3/4"	6	1500 LBS	47.60

HOW TO SELECT SPRINGS

When replacing springs on your trailer, match the existing spring by shape (is it double eye? or which type of eye & slipper?), length of spring (measure distance between spring mounting points), number of leaves and, if needed, their width and thickness.

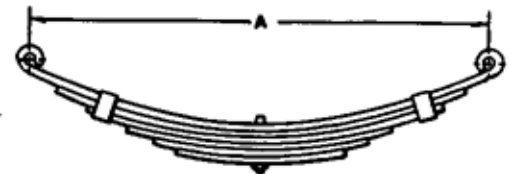
Choosing springs for a new application, the capacity becomes the key factor. Unlike brakes or hubs, spring capacity is given per each spring — therefore to get the full capacity with a 7,000 lbs rated axle, two 3,500 lbs capacity springs should be used.



DOUBLE EYE SPRINGS

DOUBLE EYE SPRINGS ARE NORMALLY MOUNTED TO SHACKLE PLATES ON ONE END IN ORDER TO ACHIEVE THE BEST RIDE. LENGTH IS FROM CENTER OF EYE TO CENTER OF EYE.

STOCK NO	(A) LENGTH	WIDTH	LEAF	CAPACITY EACH	LIST
45-S183D	18"	1 3/4"	3	1650 LBS	20.35
45-S203D	20"	1 3/4"	3	1500 LBS	22.65
45-S204D	20"	1 3/4"	4	1000 LBS	24.55
45-S245D	24"	1 3/4"	5	1650 LBS	34.95
45-S251D	25"	1 3/4"	1	3000 LBS	30.30
45-S253D	25"	1 3/4"	3	1750 LBS	28.30
45-S254D	25"	1 3/4"	4	2375 LBS	35.05
45-S254LD	25"	1 3/4"	4	1750 LBS	28.75
45-S255D	25"	1 3/4"	5	3000 LBS	45.50
45-S256D	25"	1 3/4"	6	3625 LBS	46.20
45-S264D	26"	1 3/4"	4	1000 LBS	29.20
45-S305D	30"	1 3/4"	5	1250 LBS	37.60



OPEN EYE SPRINGS

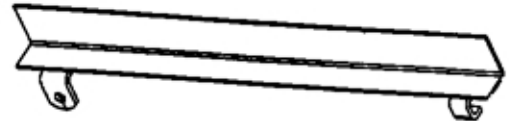
SPRING SLIDES ON BUSHING LOCATED IN OPEN EYE SECTION.
LENGTH IS FROM CENTER OF CLOSED EYE TO CENTER OF OPEN EYE.

STOCK NO	(A) LENGTH	WIDTH	LEAF	CAPACITY EACH	LIST
45-S2630E	26"	1 3/4"	3	1700 LBS	33.50
45-S2640E	26"	1 3/4"	4	2100 LBS	40.50
45-S2650E	26"	1 3/4"	5	2650 LBS	43.70



UNDERCARRIAGE SLIDE - GALVANIZED

USED TO MOUNT SPRINGS TO TRAILER FRAME. MOUNTS TO TRAILER FRAME WITH U-BOLTS AND PLATES, ADJUSTABLE IN ORDER THAT TONGUE WEIGHT CAN BE CHANGED. SOLD IN PAIRS ONLY.

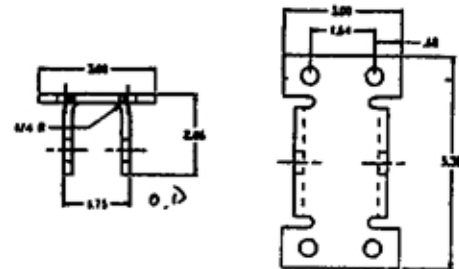


STOCK NO	MOUNTS	O.A. LENGTH	USES FENDER	LIST
95-US24SG	2-24" SLIPPER SPRINGS	35"	F12R, F12RG	62.95
95-US25SG	2-25" DOUBLE EYE SPRINGS	35"	F1315SG, F1315SA, F1315RG, F1315RA	62.95
95-US30SG	2-30" SLIPPER SPRINGS	32 1/4"	F1315SG, F1315SA F1315RG, F1315RA	62.95
95-US20TDG	4-20" DOUBLE EYE SPRINGS	68"	F1314TG, F1314TA	105.00
95-US25TDG	4-25" DOUBLE EYE SPRINGS	68"	F1314TG, F1314TA	105.00
95-US253TDG	6-25" DOUBLE EYE SPRINGS	110"	F13153G, F13153A	178.00

BOLT-ON SPRING HANGER

BOLT ONTO TRAILER USING 3/8" GRADE 5 MOUNTING BOLTS.
SPRING HOLE 9/16".

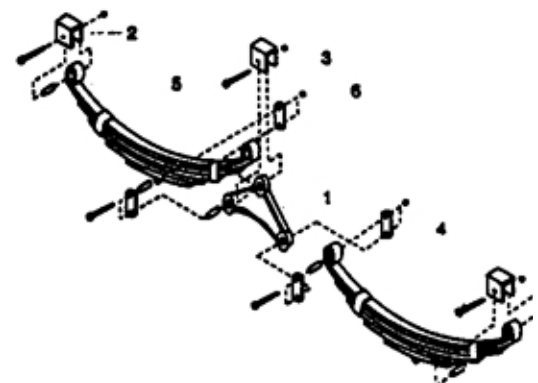
STOCK NO	DESCRIPTION	LIST
23-14025	BOLT-ON FRONT SPRING HANGER	5.50
23-14026	BOLT-ON REAR SPRING HANGER	5.50



HANGER KIT FOR DOUBLE EYE SPRINGS ON TANDEM AXLE TRAILER

COMPLETE KIT FOR MOUNTING 4 DOUBLE EYE SPRINGS TO TRAILER FRAME.

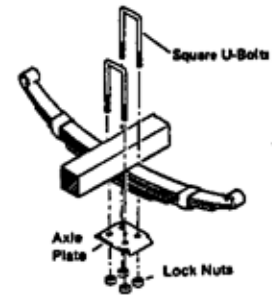
STOCK NO	DIAGRAM #	QTY	DESCRIPTION	LIST
95-110			DOUBLE EYE SPRING MOUNTING KIT-2 AXLE	67.00
46-SH2	2	4	FRONT HANGER	
46-EH1	3	2	EQUALIZER HANGER	
76-EB2	1	2	EQUALIZER BAR	
46-P7	4	8	SHACKLE PLATE	
66-BLT1235G5	5	14	BOLT 1/2" X 3 1/2"	
66-NT12NL	6	14	LOCKNUT - 1/2"	



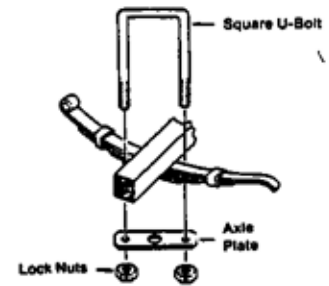
AXLE KITS

KITS ARE A CONVENIENT WAY TO ATTACH THE AXLES TO SPRING. AVAILABLE FOR BOTH ROUND AND SQUARE AXLES. TWO KITS ARE REQUIRED PER AXLE. ZINC PLATED OR GALVANIZED PARTS.

STOCK NO	AXLE DIAMETERS	PLATE NO/QTY	U-BOLT NO/QTY	FIG NO.	LIST
95-AXK10	2" SQUARE	P11 (1)	UB10 (2)	1	12.40
95-AXK10A	1 3/4" SQUARE	P11 (1)	UB10A (2)	1	7.80
95-AXK11	1 1/4" OR 1 1/2" SQUARE	P9 (1)	UB11 (1)	2	4.30
95-AXK12	1 1/4" OR 1 1/2" SQUARE	P9 (1)	UB12 (1)	2	6.50
95-AXK21	2 3/8" ROUND	P13 (1)	UB21 (2)	3	13.15
95-AXK25	1 3/4" OR 2" ROUND	P11 (1)	UB25 (2)	3	8.00
95-AXK27	2" SQUARE	P11 (1)	UB27 (2)	1	11.40



SQUARE AXLES

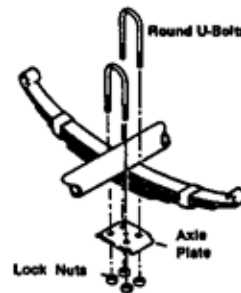


**SQUARE AXLES
(Light Duty)**

AXLE KITS FOR HAYES AXLES

U BOLTS, PLATES AND NUTS TO MOUNT SPRINGS TO AXLE. EACH KIT INCLUDES ALL PARTS FOR ONE AXLE.

STOCK NO	FITS	LIST
3-APUBR3175	3" ROUND AXLE WITH 1/4" SPRINGS	13.29
3-APUBR32	3" ROUND AXLE WITH 2" SPRINGS	20.50

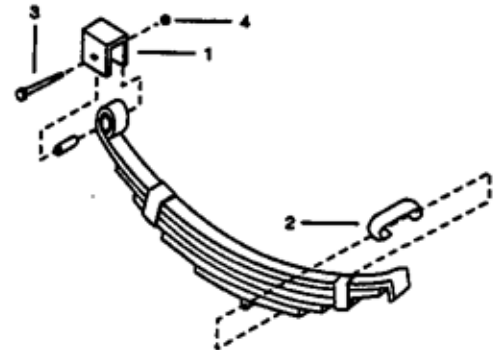


ROUND AXLES

HANGER KIT FOR SLIPPER SPRINGS ON SINGLE AXLE TRAILER

COMPLETE KIT FOR MOUNTING 2 SLIPPER SPRINGS TO TRAILER FRAME.

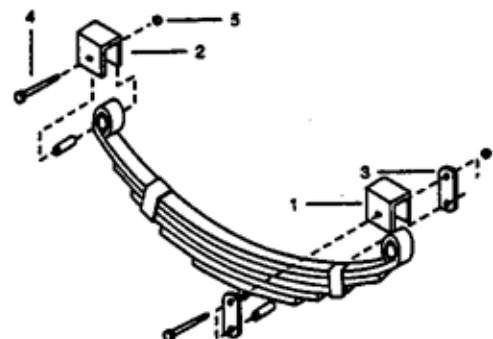
STOCK NO	DIAGRAM #	QTY	DESCRIPTION	LIST
95-100			SLIPPER SPRING KIT - SINGLE AXLE	10.95
46-SH2	1	2	FRONT HANGER	
46-SG1	2	2	SPRING GUIDE	
66-BLT1235G5	3	2	BOLT 1/2" X 3 1/2"	
66-NT12NL	4	2	LOCKNUT - 1/2"	



HANGER KIT FOR DOUBLE EYE SPRINGS ON SINGLE AXLE TRAILER

COMPLETE KIT FOR MOUNTING 2 DOUBLE EYE SPRINGS TO TRAILER FRAME.

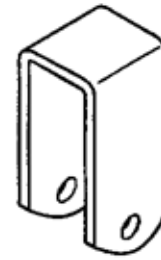
STOCK NO	DIAGRAM #	QTY	DESCRIPTION	LIST
95-105			DOUBLE EYE SPRING MOUNTING KIT	22.75
46-SH2	2	2	FRONT HANGER	
46-SH3	1	2	REAR HANGER	
46-P7	3	4	SHACKLE PLATE	
66-BLT1235G5	4	6	BOLT 1/2" X 3 1/2"	
66-NT12NL	5	6	LOCKNUT - 1/2"	



EQUALIZER HANGER

USED ON TRAILERS WITH 2 OR 3 AXLE SYSTEMS AND DOUBLE EYE SPRINGS. USED TO HOLD AND POSITION EQUALIZER BAR.

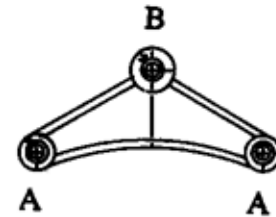
STOCK NO	WIDTH BETWEEN LEGS	CENTER HOLE DROP	HOLE SIZE	LIST
46-EH1	2 1/4"	4 1/4"	9/16"	8.50



CURVED EQUALIZER BAR

FOR DOUBLE EYE SPRINGS ON 2 AND 3 AXLE TRAILERS.

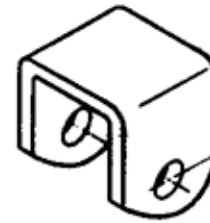
STOCK NO	EYE-TO-EYE LENGTH	DROP	HOLE SIZE A	HOLE SIZE B	LIST
76-EB2	7 3/4"	2 3/4"	9/16"	9/16"	11.95
3-091356	6 1/8"	2 1/2"	9/16"	9/16"	8.55
3-09138604	6 1/8"	2"	11/16"	9/16"	17.35



SPRING HANGER

WELDS TO FRAME OF TRAILER. SPRING EYE BOLTS INTO CENTER OF HANGER.

STOCK NO	WIDTH BETWEEN LEGS	CENTER HOLE DROP	HOLE SIZE	LIST
46-SH1	2 1/4"	1 1/4"	9/16"	2.95
46-SH2	1 1/4"	1 1/4"	9/16"	2.50



SHACKLE PLATE HANGER

WELDS TO TRAILER FRAME FOR MOUNTING SHACKLE PLATES ON DOUBLE EYE SPRINGS.

STOCK NO	WIDTH BETWEEN LEGS	CENTER HOLE DROP	HOLE SIZE	LIST
46-SH3	1 1/4"	1 1/4"	9/16"	2.60



SPRING GUIDE

WELDS TO TRAILER FRAME FOR GUIDING FREE END OF SLIPPER STYLE SPRINGS.

STOCK NO	OPENING SIZE	LIST
46-SG1	3/4" X 2"	2.25



SPRING BUSHINGS

LEAF SPRING BUSHINGS TO ACCOMMODATE OUR SLIPPER AND DOUBLE EYE SPRING. REDUCES SPRING EYE TO 1/2" LD.

STOCK NO	OUTSIDE DIAMETER	LENGTH	LIST
74-SB1	7/8"	1/2"	.50
74-SB2	7/8"	1 1/4"	.50
74-SB3	11/16"	1 3/4"	.50
74-SB4	1"	1 3/4"	.50

